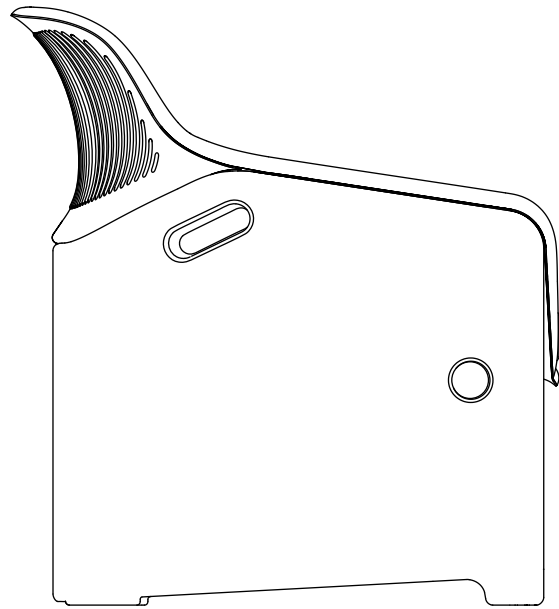


FRONT VIEW

28 3/4

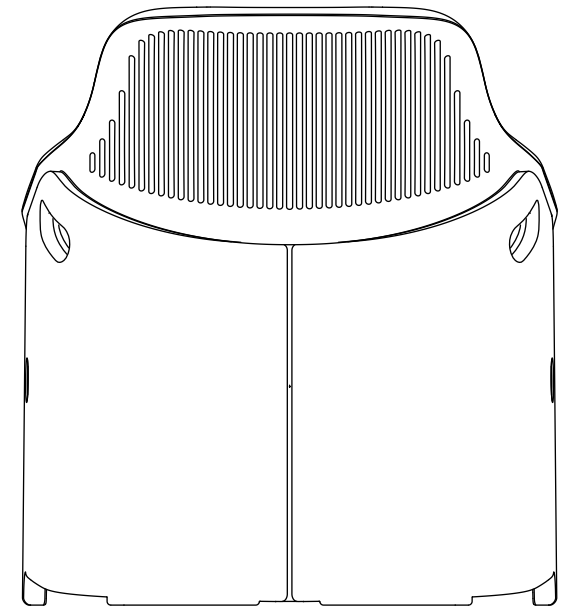


SIDE VIEW

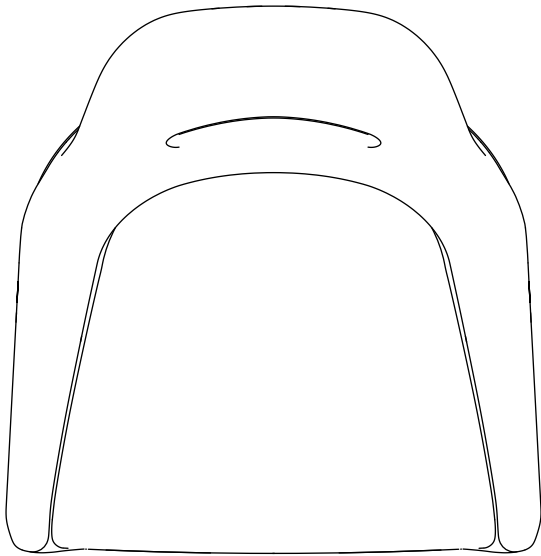
28 3/4

16 7/8

23 5/8



BACK VIEW



TOP VIEW

PLANK[®]

AVUS

mod. 1920-12

design: Konstantin Grcic

in inches