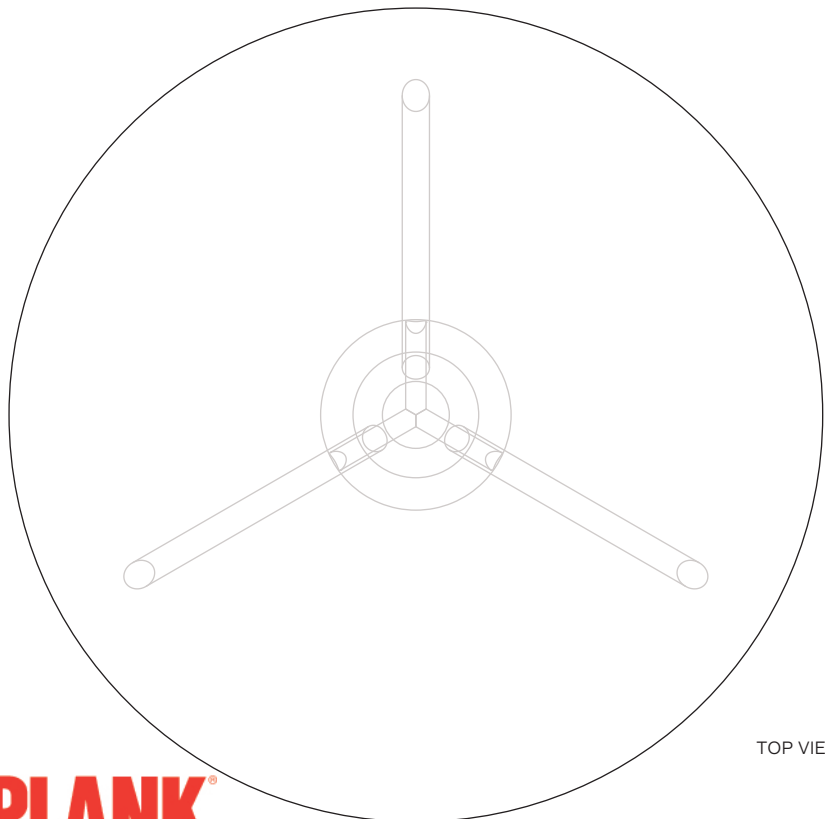
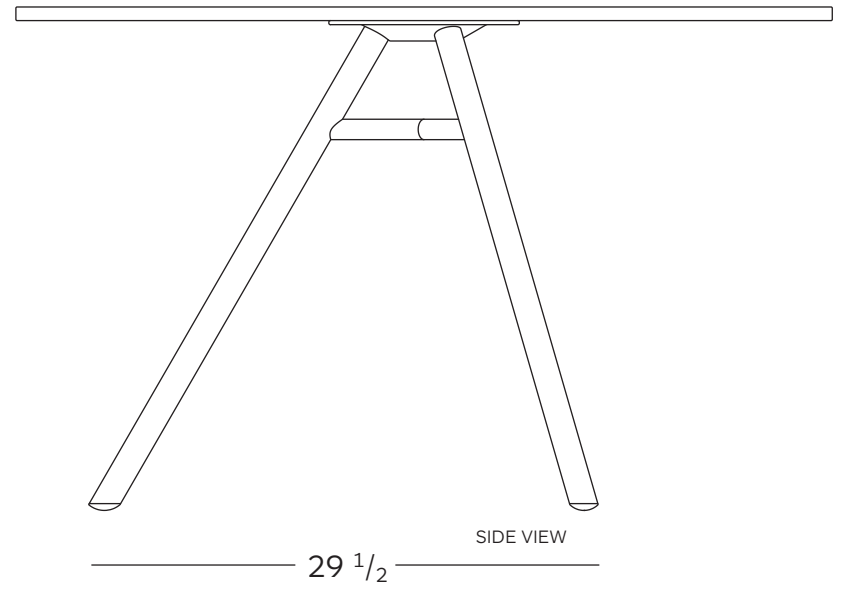


28 <sup>3</sup>/<sub>4</sub>



**PLANK**<sup>®</sup>

| MART table |

mod. 9835-01 |

design: P. lab |

in inches |