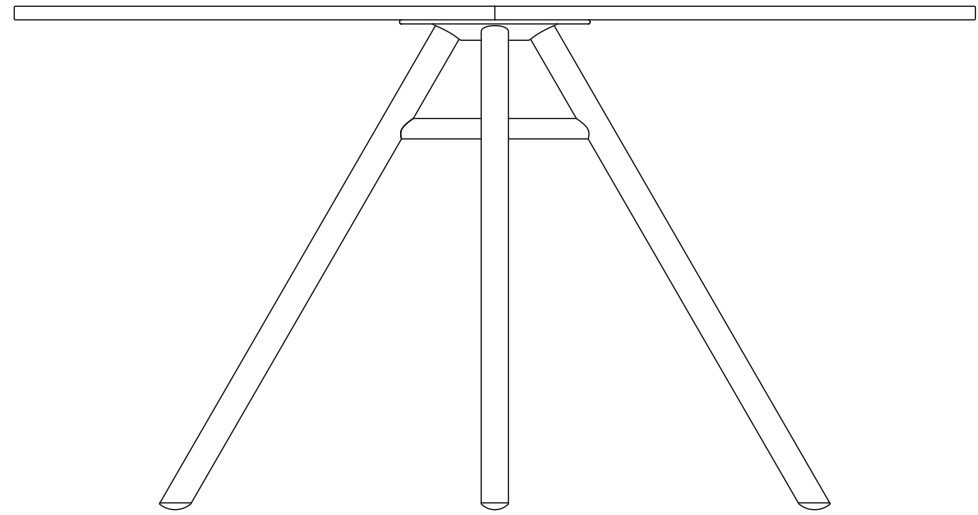


FRONT VIEW

30 3/4

39 3/8

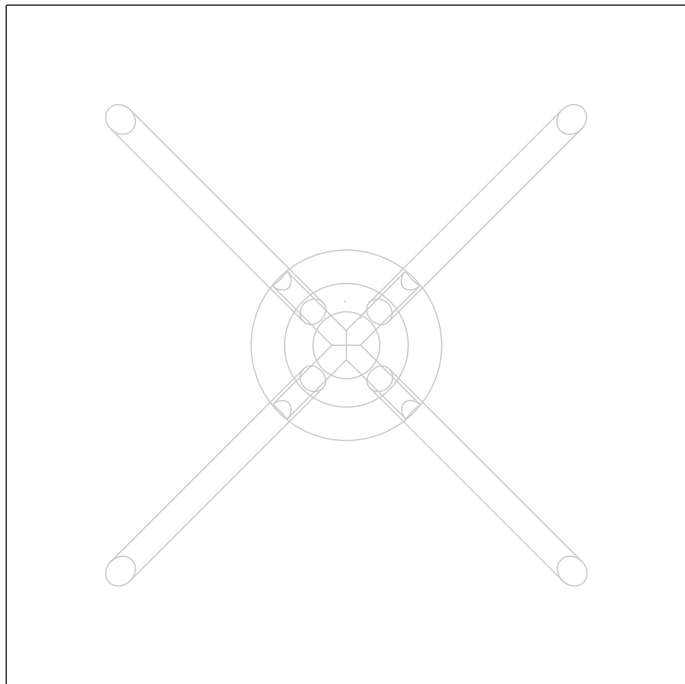
28 3/4



SEC 45°

33 7/8

55 1/2



TOP VIEW

39 3/8

PLANK

MART table

mod. 9843-01

design: P. lab

in inches