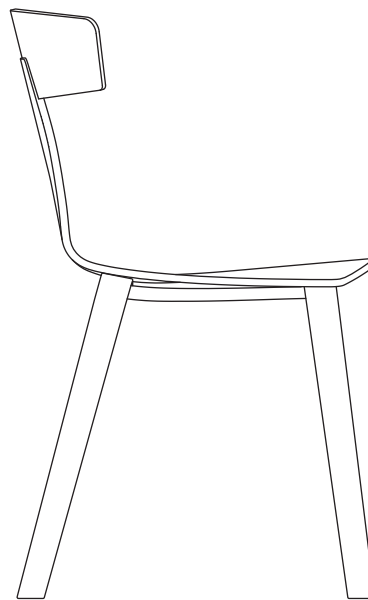


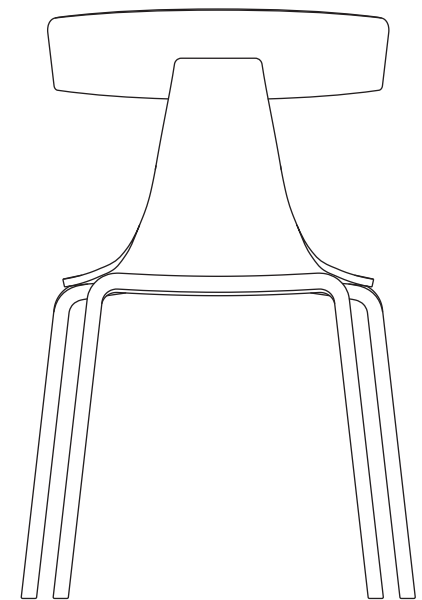
FRONT VIEW

20 1/2

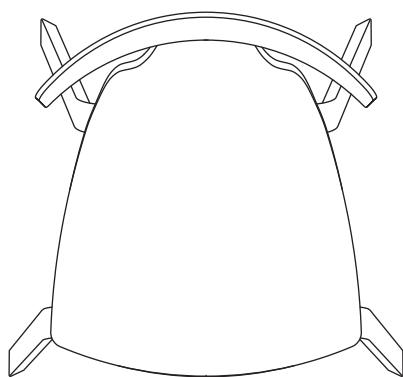


SIDE VIEW

18 7/8



BACK VIEW



TOP VIEW

**PLANK**<sup>®</sup>

REMO wood chair

mod. 1415-10

design Konstantin Grcic

in inches