

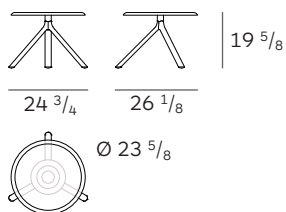
MIURA table

Konstantin Grcic

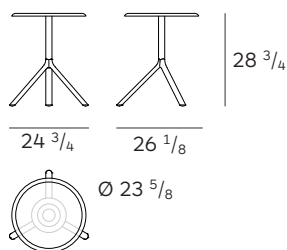
PLANK[®]



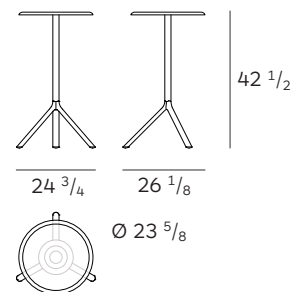
Mod. 9553-51



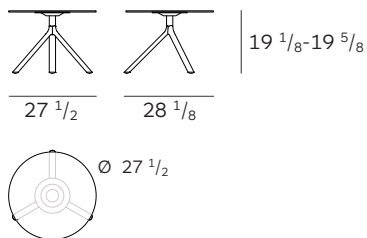
Mod. 9553-01



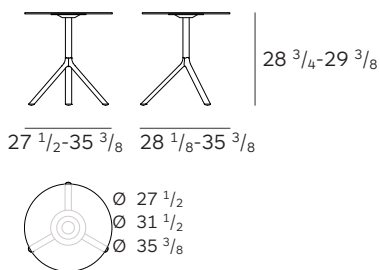
Mod. 9553-71



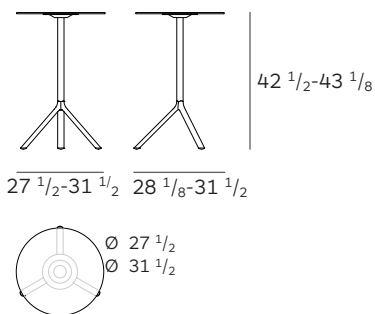
Mod. 9590-51 (Ø 27 1/2)



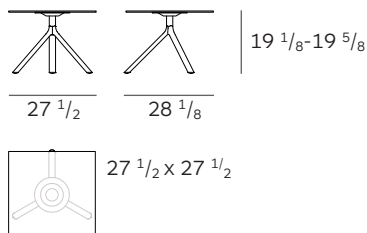
Mod. 9590-01 (Ø 27 1/2) / Mod. 9591-01 (Ø 31 1/2) Mod. 9592-01 (Ø 35 3/8)



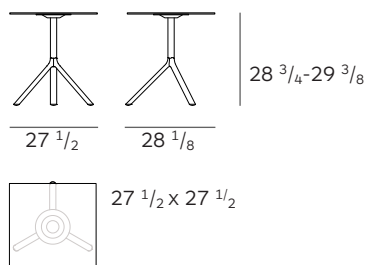
Mod. 9590-71 (Ø 27 1/2) / Mod. 9591-71 (Ø 31 1/2)



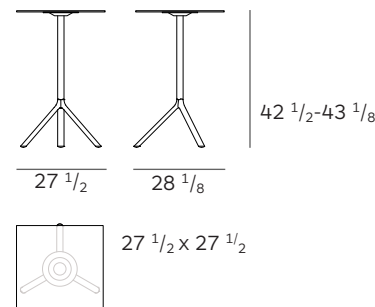
Mod. 9580-51 (27 1/2 x 27 1/2)



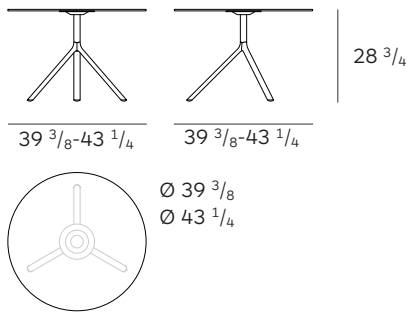
Mod. 9580-01 (27 1/2 x 27 1/2)



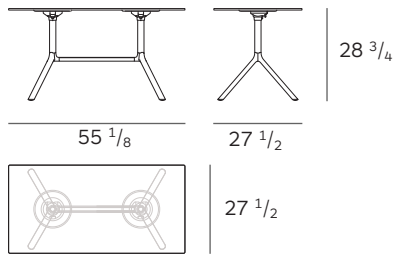
Mod. 9580-71 (27 1/2 x 27 1/2)



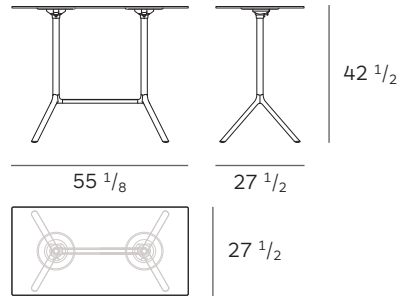
Mod. 9555-01 (Ø 39 3/8) / Mod. 9556-01 (Ø 43 1/4)



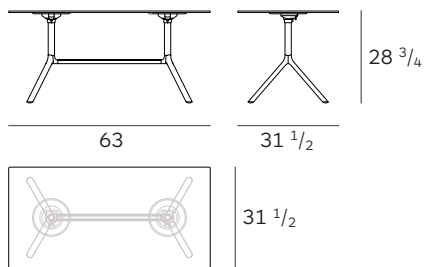
Mod. 9586-01



Mod. 9586-71



Mod. 9587-01



Mod. 9587-71

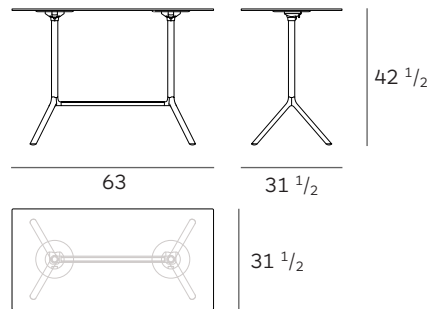


Table collection, structure in powder coated aluminum or polished aluminum, top in powder coated metal, MDF or HPL in black and white, (metal tops also in red). Folding or fixed table top. Indoor and outdoor use.

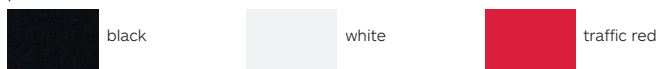
Table top
HPL 10 mm



MDF 25 mm only for Ø27 1/2, Ø31 1/2
indoor use only



Metal table top (only on mod. 9553)
powder coated



Frame
Aluminum
powder coated



Aluminum
polished

