

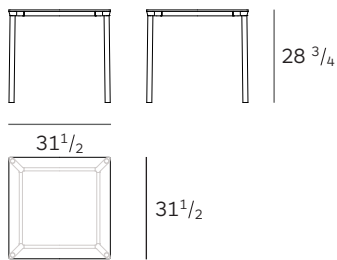
MONZA table

Konstantin Grcic

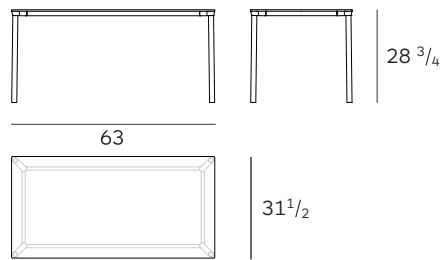
PLANK®



Mod. 9203-01



Mod. 9208-01



Mod. 9224-01

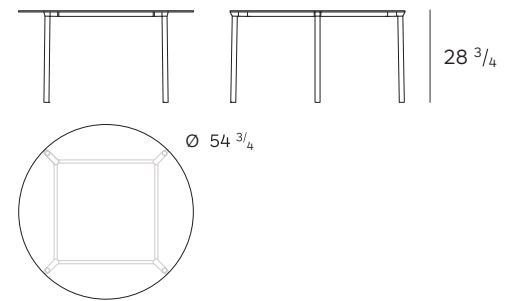


Table collection, structure in aluminum white or black powder coated, legs in aluminum white, black powder coated or solid ash. Table top in high pressure laminate (HPL) in the colors white or black. Indoor or outdoor (powder-coated leg version) use. Stackable (9203-01).

Table top HPL 10 mm



Table top: HPL, white
Structure: aluminum, white
Leg: ash



Table top: HPL, black
Structure: aluminum, black
Leg: ash



Table top: HPL, white
Structure: aluminum, white
Leg: aluminum white



Table top: HPL, black
Structure: aluminum, black
Leg: aluminum black



Leg finishes
Aluminum extrusion
Powder coated



Ash (indoor use only)



Structure

