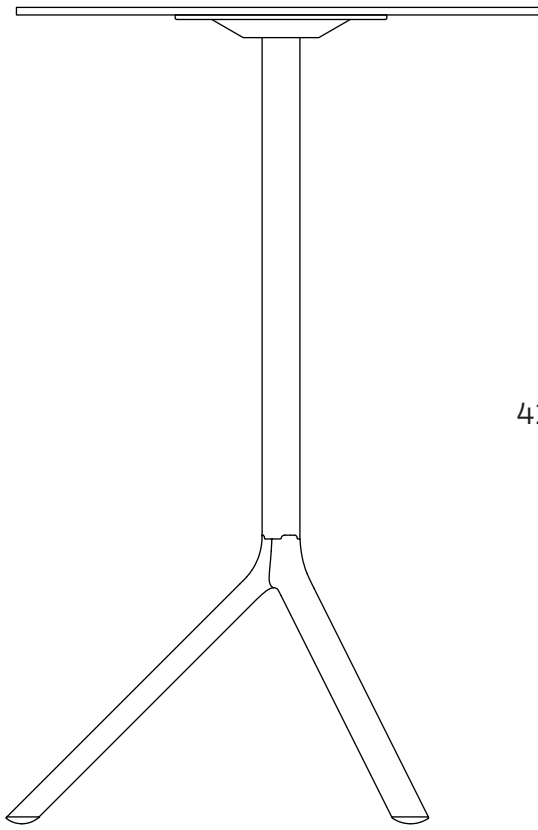


FRONT VIEW

24 3/4

27 1/2

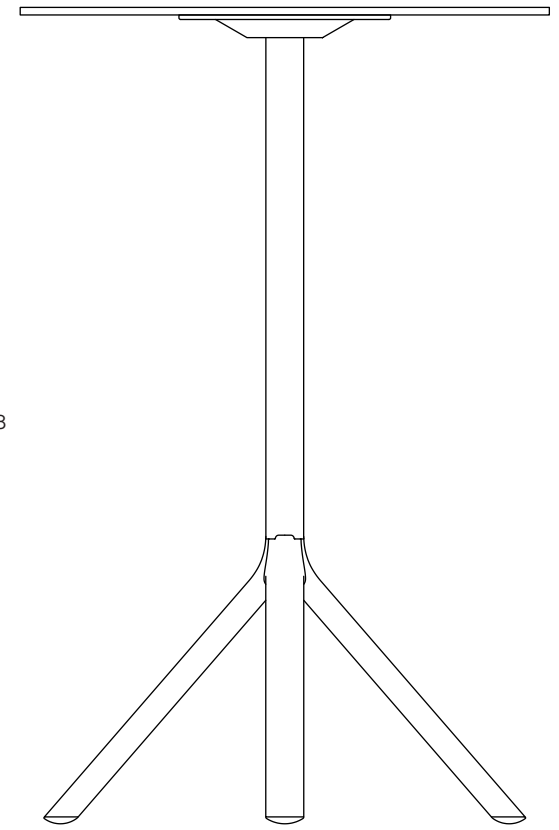


SIDE VIEW

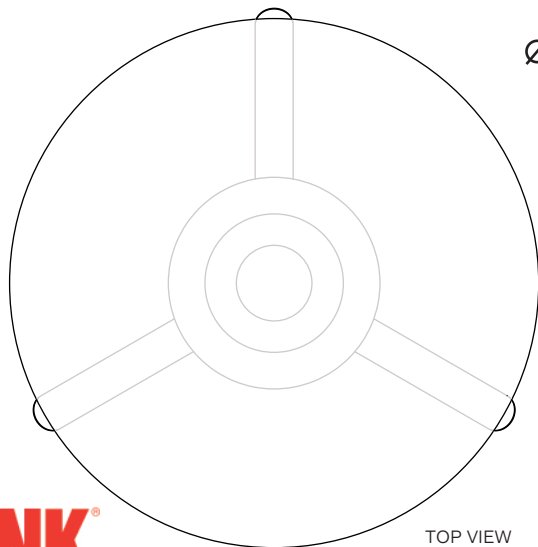
21 5/8

28 1/8

42 1/2 - 43 1/8



BACK VIEW



TOP VIEW

Ø 27 1/2

PLANK

MIURA table

mod. 9590-71

design: Konstantin Grcic

in inches