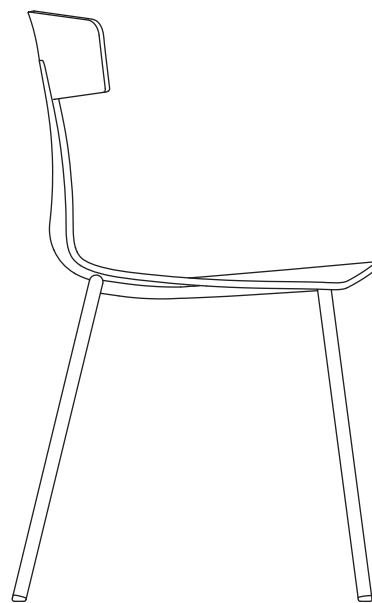


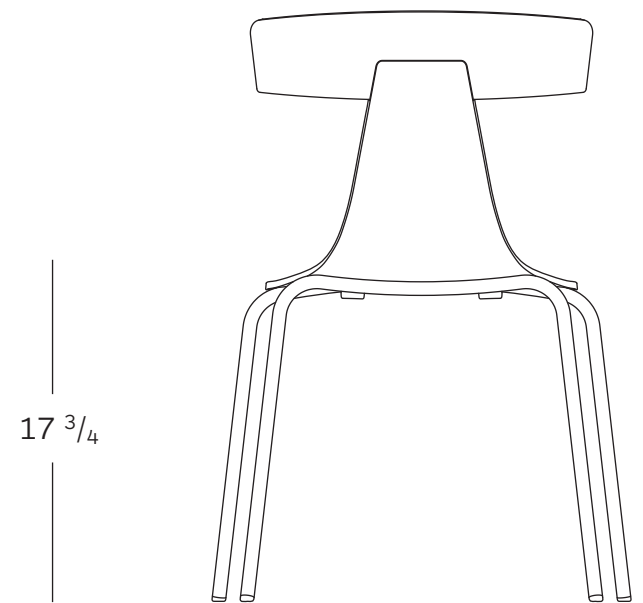
FRONT VIEW

21 5/8



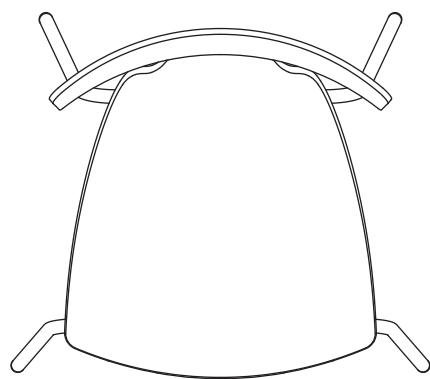
SIDE VIEW

18 7/8



BACK VIEW

17 3/4



TOP VIEW

PLANK[®]

REMO plastic chair

mod. 1417-20

design Konstantin Grcic

in inches