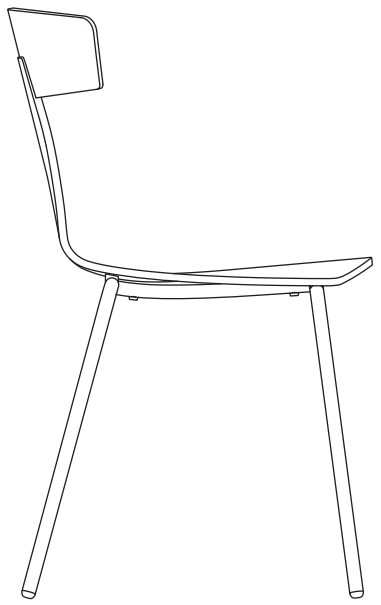


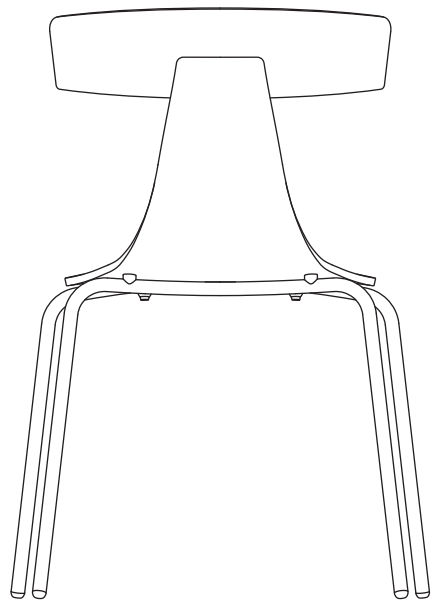
FRONT VIEW

21 5/8

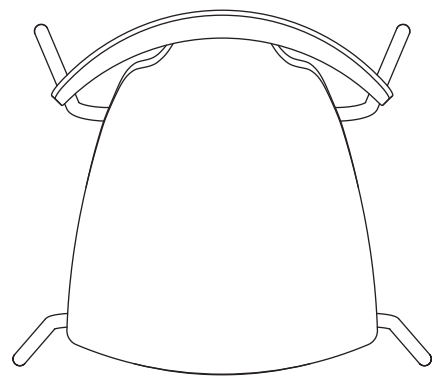


SIDE VIEW

18 7/8



BACK VIEW



TOP VIEW

PLANK[®]

REMO wood/metal frame

mod. 1416-20

design Konstantin Grcic

in inches